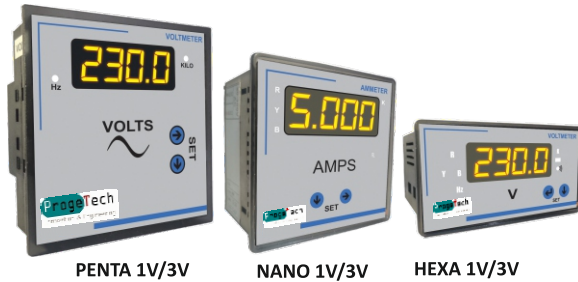


# DIGITAL PANEL METERS

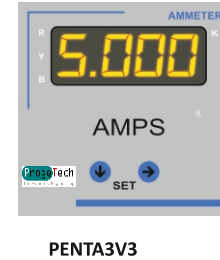
## BASIC SERIES

### AC VOLT METERS (Single Phase / Three Phase)



WITH IN-BUILT  
FREQUENCY DISPLAY  
(Hz)

Made in ITALY



#### FEATURES

- Displays Line to Line Voltage and Line to Neutral
- Voltage-Phasewise and Average and system frequency.
- Password Protected.
- True RMS measurement of parameters.
- Auto/Manual scrolling of parameters
- Easy Programming with push buttons on front facia.
- RS-485 Communication optional.
- Relay Output for alarm can be provided.(optional)

#### SPECIFICATION

Display	: 4 Digit Red LED Super Bright Display	Maximum Overload	: Voltage 1.2 Times Continuous
Digit Height	: 0.56"/14.2mm	Frequency Response	: 40-400 Hz
Maximum display	: 9999(Max.) Counts	Auxiliary Supply	: 150-300V AC, 45-270V AC /DC, 19-60V AC /DC
Resolution	: 0.001 to 1 Count Depending on Range/ Scale Display	Input Voltage	: 0- 750V AC(Direct)
Display Stability	: With in ±1 Digit	PT Primary Range	: 50 to 500kV AC Programmable
Faceplate /Lens	: Polycarbonate Transparent	PT Secondary Range	: 50 to 500V AC Programmable
Case/Housing Material	: FR-ABS Black	Accuracy Class	: 1 & 0.5 (Freq. Measurement of Class 0.2)
Connectors /Terminal	: Nylon 66, 33%GF,Black/Brass	VA (Burden)	
Mounting Clamps	: Sturdy, Moulded Glass filled nylon with screws.	Auxiliary	: ≤1.5 VA
Decimal Point	: Auto Scrolling	Voltage Input	: ≤1.0 VA
Dielectric Strength	: 2.5KV @50 Hz for 1 minute between Input -Auxiliary	Environment	
Impulse Withstand	: 3.5.KV, 1.2/50 micro Second	Calibration	: 27°C ± 5°C
Referesh Rate	: Per 8.0ms	Operating	: 0° to + 60°C, RH<70%
		Storage	: -10° to +70°C, RH<70%
		Metering Standard	: IEC62052-11

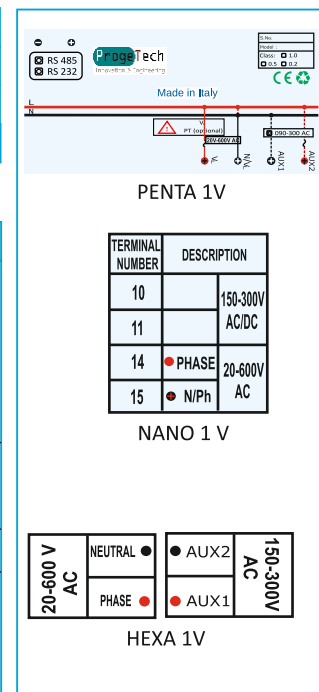
#### DIMENSIONS (MM)

MODEL	PENTA 1V/3V	NANO 1V/3V	HEXA 1V/3V	PENTA 3V3
FRONT	96 X 96	72 X72	48 X 96	96 X 96
DEPTH (Behind Bezel)	39.5	59	74	52
Panel Cut -Out	92 <sup>(+0.8-0.0)</sup> x 92 <sup>(+0.8-0.0)</sup>	68 X 68	44 <sup>(+0.5-0.0)</sup> x 92 <sup>(+0.8-0.0)</sup>	92 <sup>(+0.8-0.0)</sup> x 92 <sup>(+0.8-0.0)</sup>

#### ORDERING INFORMATION

MODEL	MEASURING RANGE	ACCURACY CLASS	AUX SUPPLY
PENTA 1V	0-10V AC 0-20V AC 0-30V AC 0-100V AC	0.5	150-300V AC (TX Supply) 45-270V AC /DC 19-60V AC /DC
	20-750V AC	1.0 0.5	
NANO 1 V	20-750V AC	1.0	150-300V AC (TX Supply) 45-270V AC /DC 19-60V AC /DC
HEXA 1V		0.5	
PENTA 3V	20-600V (Line to Neutral)	1.0	150-300V AC (TX Supply) 45-270V AC /DC 19-60V AC /DC
NANO 3V	30-1000 (Line to Line)	0.5	
PENTA 3V3			

#### TERMINAL CONNECTION



\*WHILE ORDERING PLEASE MENTION RANGE, CLASS & AUX SUPPLY & FOR BULK CUSTOMIZED INQUIRES PLEASE CONTACT SALES.

